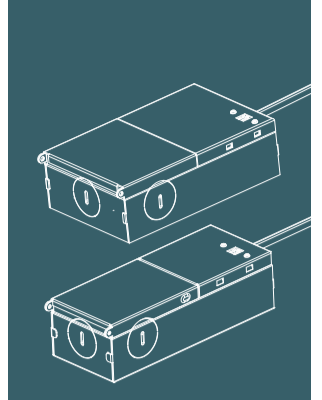




## LEDGEAR®

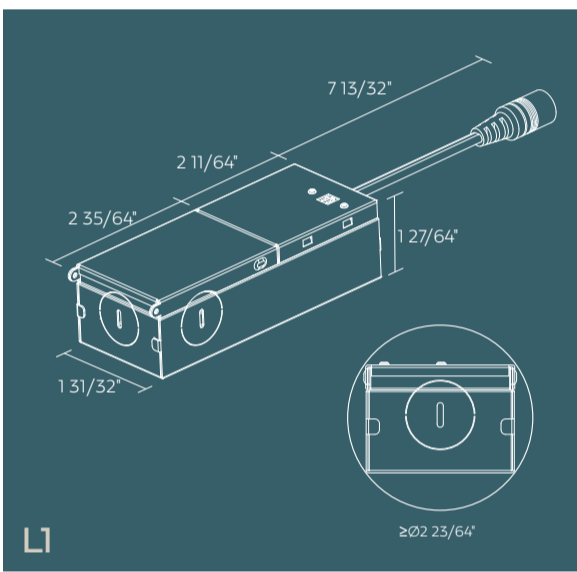
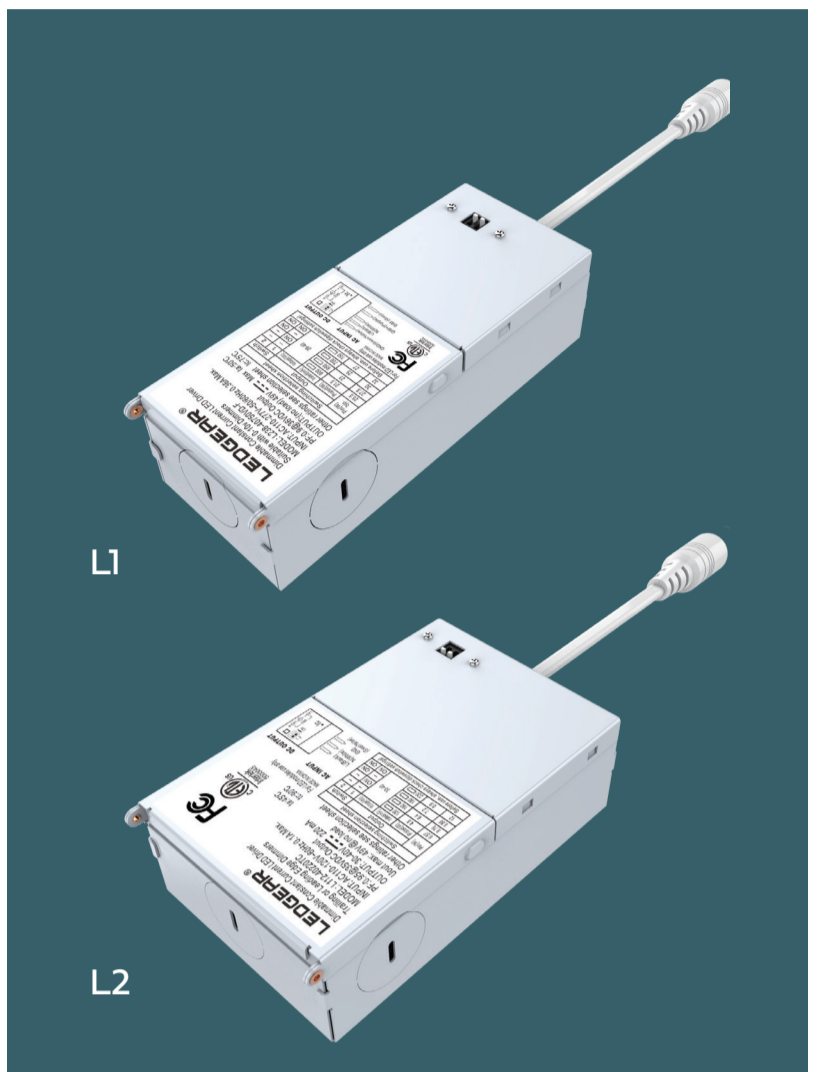
# LED Driver with JUNCTION BOX

3.6W-40W, Constant Current Triac/ELV, 1-10V dimming  
Housing: L1, L2



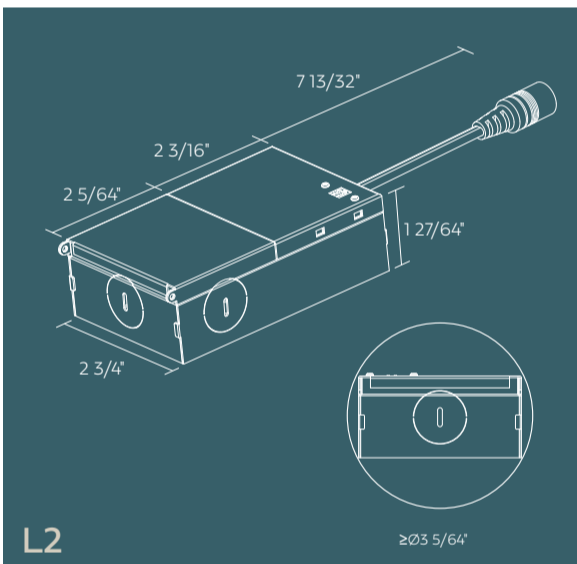
## JUNCTION BOX

To power various indoor LED fixtures, the LEDGEAR® L1, L2 Junction Box Drivers have a silver finish with 1/2" NPT punched knockouts and features easy access cover panel. It is provided with leads and conduits opening for supply connection. Intended for contractor installations and is a NEMA 1 steel enclosure. There are Triac/ELV and 1-10V Dimmable option with constant current output.



### FEATURES & BENEFITS

- Constant output current level selectable by DIP SW. and cover almost all indoor lighting wattage
- Built-in active PFC function
- High efficiency up to 90%
- Suitable for 2.4"(L1), 3.1"(L2) cut holes thanks to the compact housing
- Class 2, LVLE output <60V
- THDi less than 10%
- Suitable for Dim-to-Warm led fixtures
- Side tabs with mounting screw holes to allow mounting of driver
- 100% output when no dimming signal input, can be used as normal power supply



### 1-10V(10%-100%) Dimming

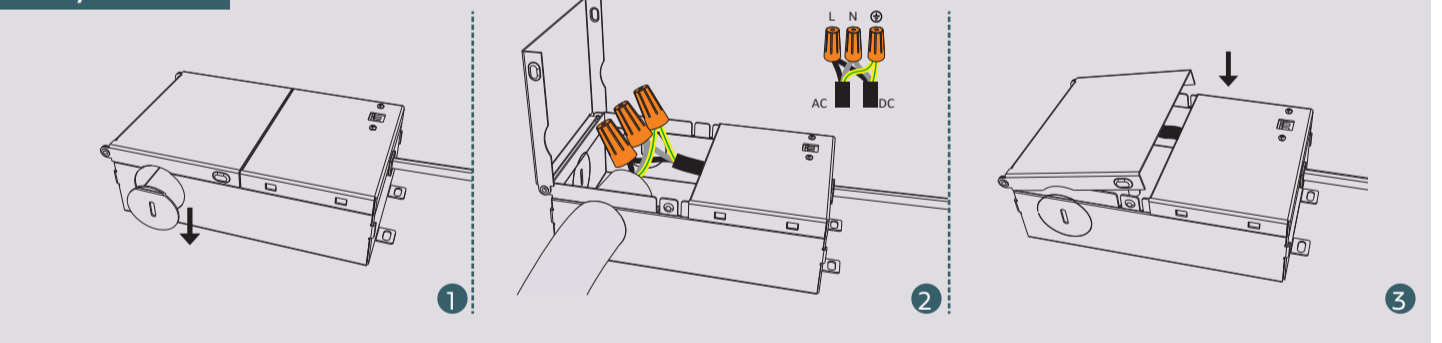
- Support 1-10V analog dimming signal, Passive or active signal.
- Wide range of input voltage 110VAC ~ 277VAC
- Flicker Free, and compliant to Title 24 and Energy Star

### Triac/ELV Dimming

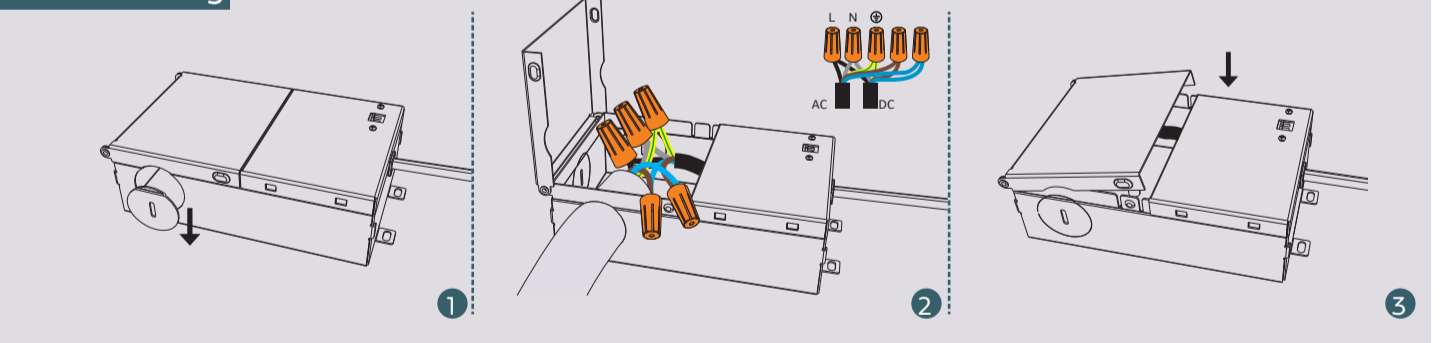
- Smooth dimming effect with both Triac and ELV dimmers
- Typical dimming from 100% to 10%, some dimmers can dim off
- Low flicker design

## CONNECTION

### Triac/ELV



### 1-10V Dimming



## ORDERING GUIDANCE

### Triac/ELV dimming

Model Number	Housing Name	Dimming Type	Input Voltage (Vac)	Output Power (W)	Output Voltage (Vdc)	Output Current (mA)	Power Factor
L110-40220TC-F	L1 J-BOX	Triac, ELV	120	3.6 to 8.8	30-40	120,160,180,220	0.95
L218-40360TC-F	L2 J-BOX	Triac, ELV	120	7.2 to 14.4	30-40	240,280,320,360	0.95
L226-40550TC-F	L2 J-BOX	Triac, ELV	120	12 to 22	30-40	400,450,500,550	0.95
L238-40800TC-F	L2 J-BOX	Triac, ELV	120	19.5 to 30.4	30-38	650,700,750,800	0.95
L245-401000TC-F	L2 J-BOX	Triac, ELV	120	25.5 to 38	30-38	850,900,950,1000	0.95

### 1-10V, 10V PWM, Rx dimming

Model Number	Housing Name	Dimming Type	Input Voltage (Vac)	Output Power (W)	Output Voltage (Vdc)	Output Current (mA)	Power Factor
L110-40220VD-F	L1 J-BOX	1-10V, 10V PWM, Rx	110-277	3.36 to 8.8	28-40	120,160,180,220	0.95
L218-40360VD-F	L2 J-BOX	1-10V, 10V PWM, Rx	110-277	6.72 to 14.4	28-40	240,280,320,360	0.95
L226-40550VD-F	L2 J-BOX	1-10V, 10V PWM, Rx	110-277	11.2 to 22	28-40	400,450,500,550	0.95
L238-40800VD-F	L2 J-BOX	1-10V, 10V PWM, Rx	110-277	18.2 to 32	28-40	650,700,750,800	0.95
L245-40950VD-F	L2 J-BOX	1-10V, 10V PWM, Rx	110-277	23.8 to 40	28-40	850,900,950,1000	0.95



KINGLUMI CO., LTD.

Add: Bldg 3, Nangang Third Industrial Zone, Tangtou, Shiyuan Town, Bao'an District, Shenzhen City, China 518108  
Tel: 0086-755-29516789 33985808  
E-mail: sales@kinglumi.com  
Fax: 0086-755-29516759  
Http: /www.kinglumi.com

Working hours: From Monday to Friday 8:30 to 18:00



www.facebook.com



www.linkedin.com



www.youtube.com



www.twitter.com